



FARIZON SV

BORN ELECTRIC. BUILT FOR BUSINESS.

CONTENTS

Overview	3-4
Exterior	5
Interior	6
Space	7
Performance	8
Dimensions & Weights	9-13
Full Model Range & Features	14
More Information	15



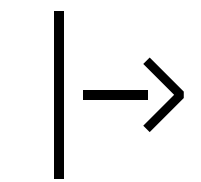
**BORN ELECTRIC.
BUILT FOR BUSINESS.**



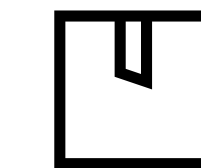
YOUR OFFICE. FULLY KITTED OUT.

The Farizon SV is a game-changing, all-electric large van designed for the future of commercial mobility. Built from the ground up with innovation at its core, the SV offers industry-first technology, exceptional cargo capacity, and outstanding efficiency.

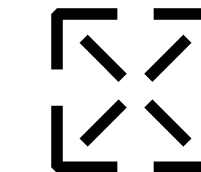
Whether you're a fleet operator or a tradesperson, the SV is a high-performing, sustainable and practical solution designed to meet and exceed the needs of commercial vehicle users.



MAX. WLTP RANGE
(COMBINED/CITY)*
398/550 KM

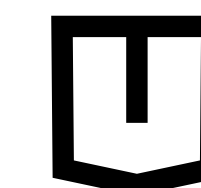


MAX. PAYLOAD*
1,350 KG



MAX CARGO
VOLUME* 13 M3

* Subject to model variant



FARIZON

AVAILABLE IN 6 COLOURS

Find the colour that works for your lifestyle, or puts your business on the road in style.



Bamboo Green

Pale Blue

Porcelain Grey

Jade White

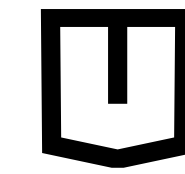
Brocade Gold

Ink Black

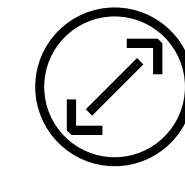
SIZE & POWER VARIATIONS

L1 H1	L1 H2	L2 H2	L2 H3	L3 H3
67 kWh	.	67 kWh	.	.
83 kWh	83 kWh	83 kWh	83 kWh	83 kWh
.	.	.	.	106 kWh

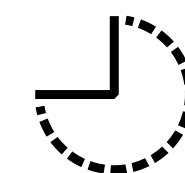
EXTERIOR



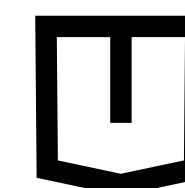
**ILLUMINATED
GRILLE LOGO**



**16-INCH
WHEELS**



**270 DEGREE
REAR DOORS
(OPTIONAL)**



FARIZON



COMFORTABLE AND HIGH-TECH CABIN

Driver-Centric Design

Three-seat layout with a spacious, ergonomic interior. Physical buttons are retained on the dashboard and centre console for key functions to minimise driver distraction.

12.3-inch Floating Touchscreen

Controls for navigation, multimedia playback, online streaming, Bluetooth, Apple CarPlay and ADAS systems.

Digital Instrument Cluster

A customisable full-colour 7-inch display provides key driving data. Multiple combinations of key information can be easily configured by the driver via the steering wheel controls.

Heated Multi-Function Steering Wheel

Access to Intelligent Cruise Control, hands-free calling, and Intelligent Speech Assistant.

Advanced Payload Monitoring

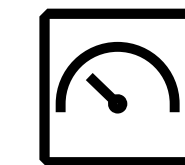
Displays load weight in real time to help avoid overloading.



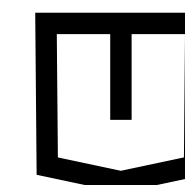
12.3-INCH
FLOATING
TOUCHSCREEN



COMFORT
HEATED AND
VENTILATED SEATS



7-INCH
DIGITAL INSTRUMENT
CLUSTER



FARIZON

SPACE



BUILT FOR BUSINESS

Exceptional Cargo Space

Available in five size configurations (L1 H1 to L3 H3), the SV offers up to 13 m³ of cargo volume and a payload capacity of up to 1,350 kg, the highest in its class.

Extra-Low Loading Height

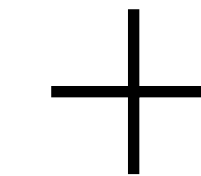
Just 550mm for easier loading and unloading.

Smart Interior Features

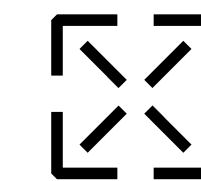
Pre-installed anchor points, easy-access side and rear doors, and a flexible cargo area for custom shelving and storage solutions.

Advanced Payload Monitoring

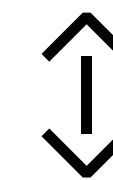
Displays load weight in real-time to help avoid overloading.



+1M3
MORE THAN THE
MARKET LEADING VAN*



MAX CAPACITY**
13 M3



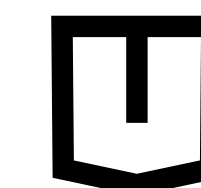
CARGO PLATFORM
HEIGHT 550 MM

* Comparing L1 H1 and L2 H2 variants

** Subject to model variant

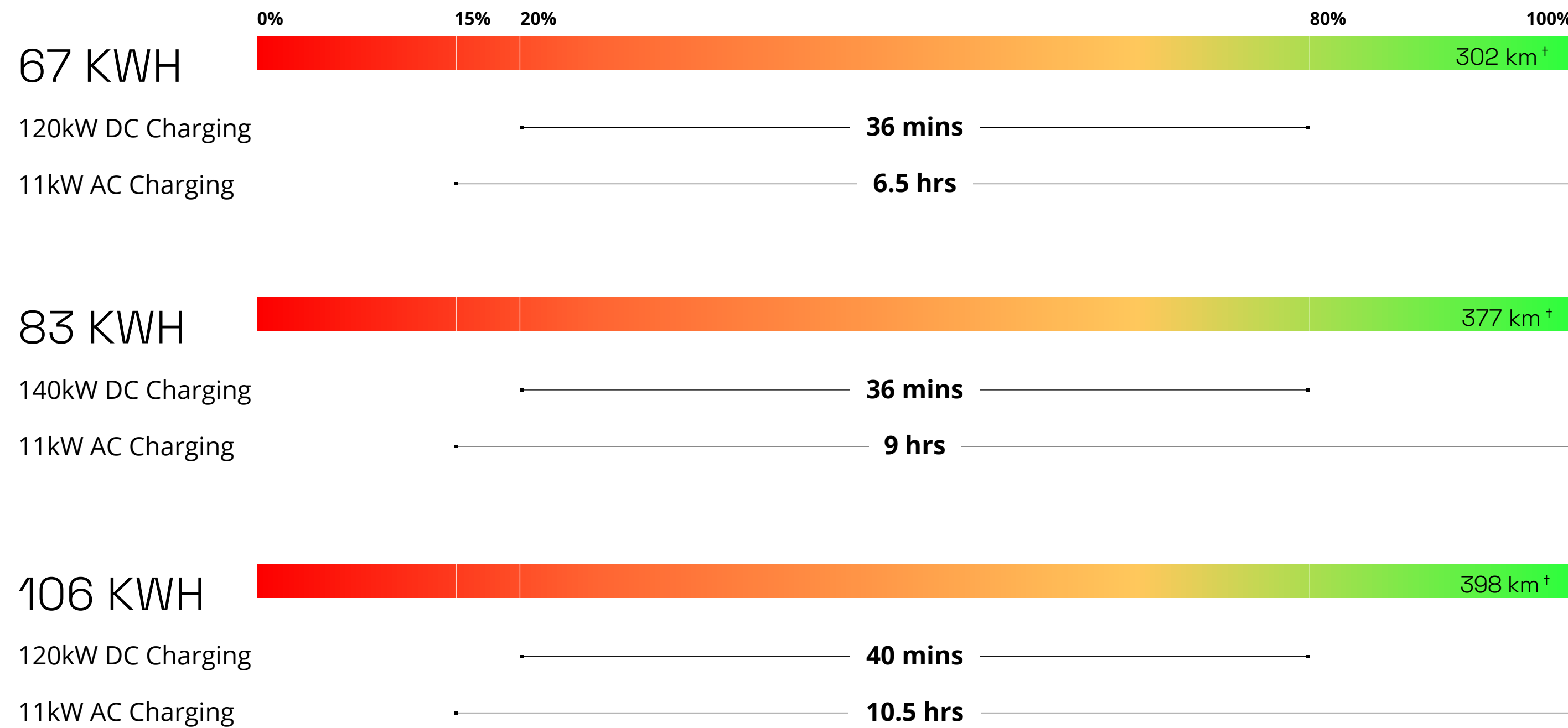
LOADING CAPACITY

L1 H1	L1 H2	L2 H2	L2 H3	L3 H3
6.95 m ³	7.92 m ³	9.39 m ³	11.22 m ³	13 m ³



FARIZON

CHARGE & RANGE



DESIGNED FOR EFFICIENCY AND PERFORMANCE

Impressive Range

Choose between a 67 kWh, 83 kWh or 106 kWh battery for an all-electric range of up to 398 km (WLTP combined). Further boosting range is a lightweight aerodynamically optimised body with an ultra-low drag factor of just 0.29 Cd.

Fast Charging

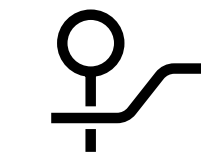
The SV can be rapid charged from 20% to 80% in as little as 36 minutes, helping minimise downtime.

High Performance

170 kW (231 PS) of peak power and 336 Nm of torque ensure smooth and responsive driving, even when fully loaded.

Agile and Comfortable

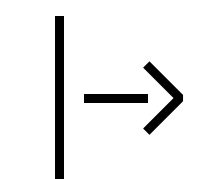
World-first use of an independent dual wishbone front suspension system on an electric van, the SV provides the comfort and handling of a passenger vehicle.



TOWING CAPACITY (BRAKED)
2,000 KG



CHARGE TIME (20-80%)*
36 MINS

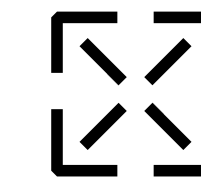
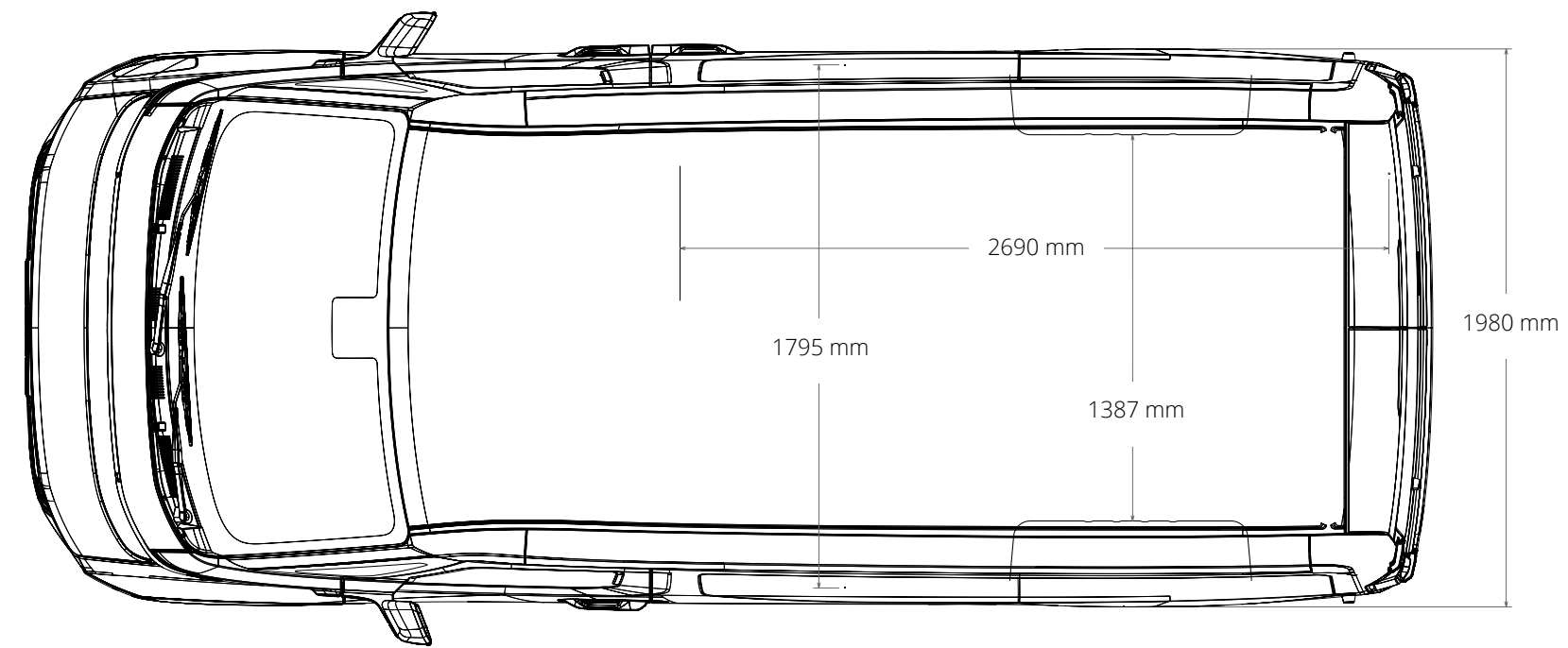
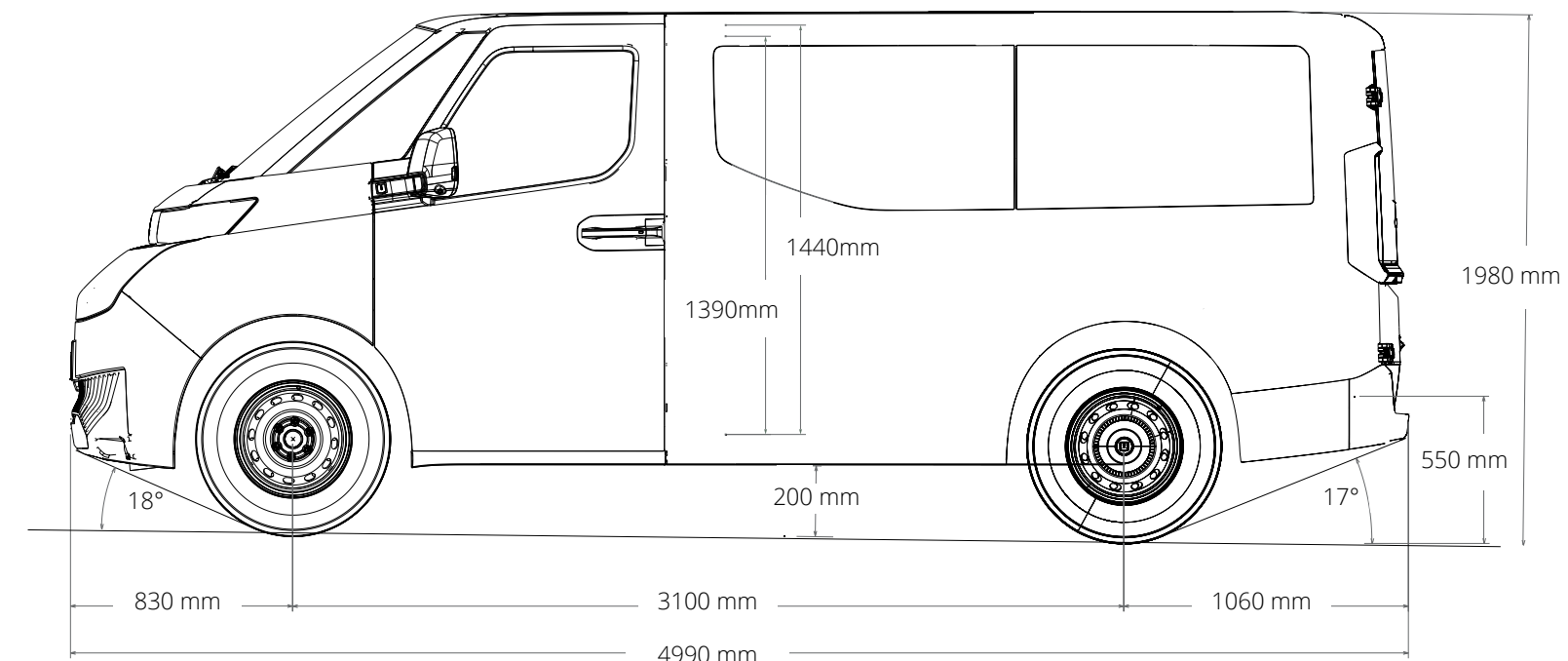


MAX. WLTP RANGE (COMBINED/CITY)
398/550 km

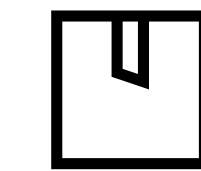
*120kW charging for 67 kWh and 83 kWh batteries

† WLTP Combined

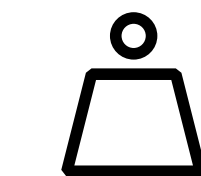
L1 H1 DIMENSIONS & WEIGHTS



CAPACITY
6.95 M3



MAX PAYLOAD
1,350 KG



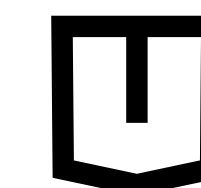
GROSS VEHICLE WEIGHT
3,500 KG

DIMENSIONS

	67 kWh	83 kWh		67 kWh	83 kWh
Length	4,990 mm		Minimum Ground Clearance	150 mm	
Width	1,980 mm		Cargo Platform Height	550 mm	
Height	1,980 mm		Turning Circle	12.2 m	
Front track	1,719 mm		Approach Angle	18 Degrees	
Rear track	1,722 mm		Departure Angle	17 Degrees	
Wheelbase	3,100 mm				
Front Overhang	830 mm				
Rear Overhang	1,060 mm				

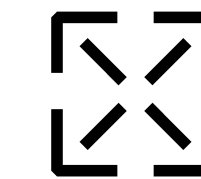
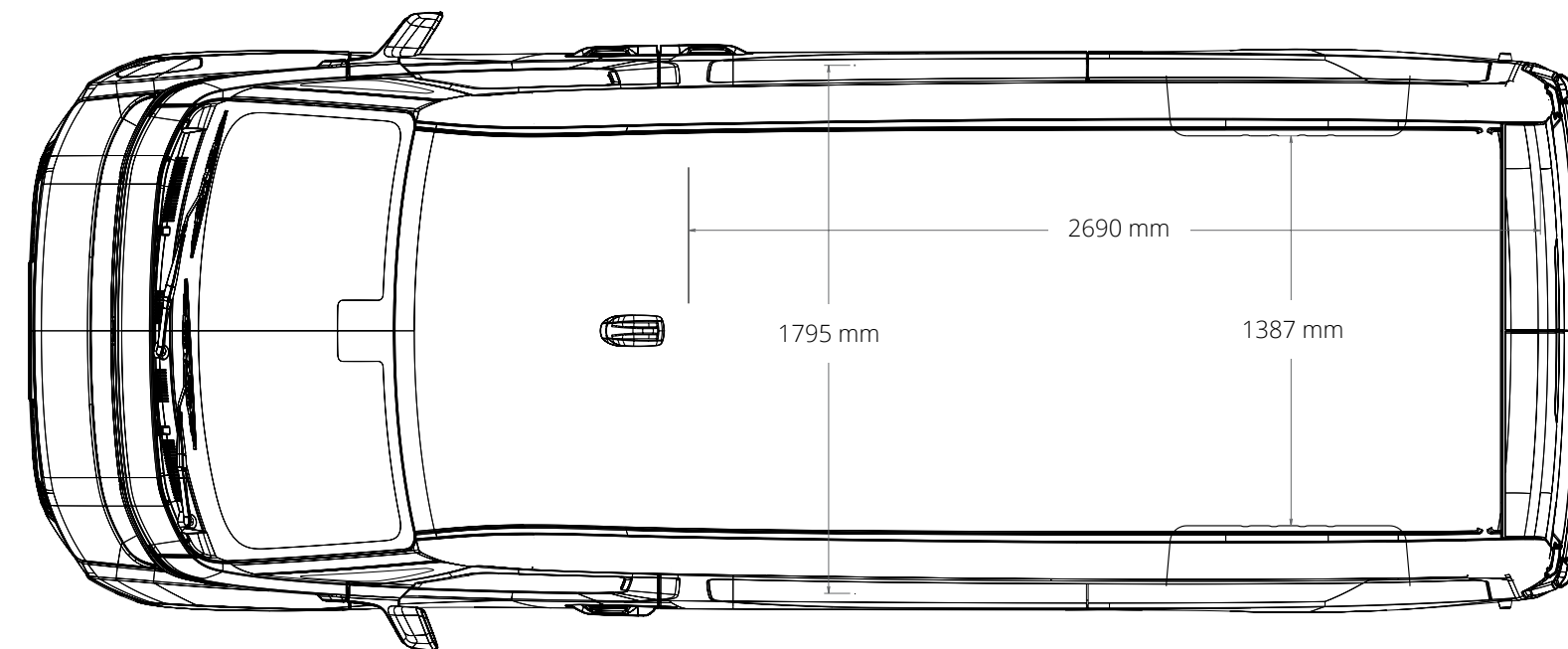
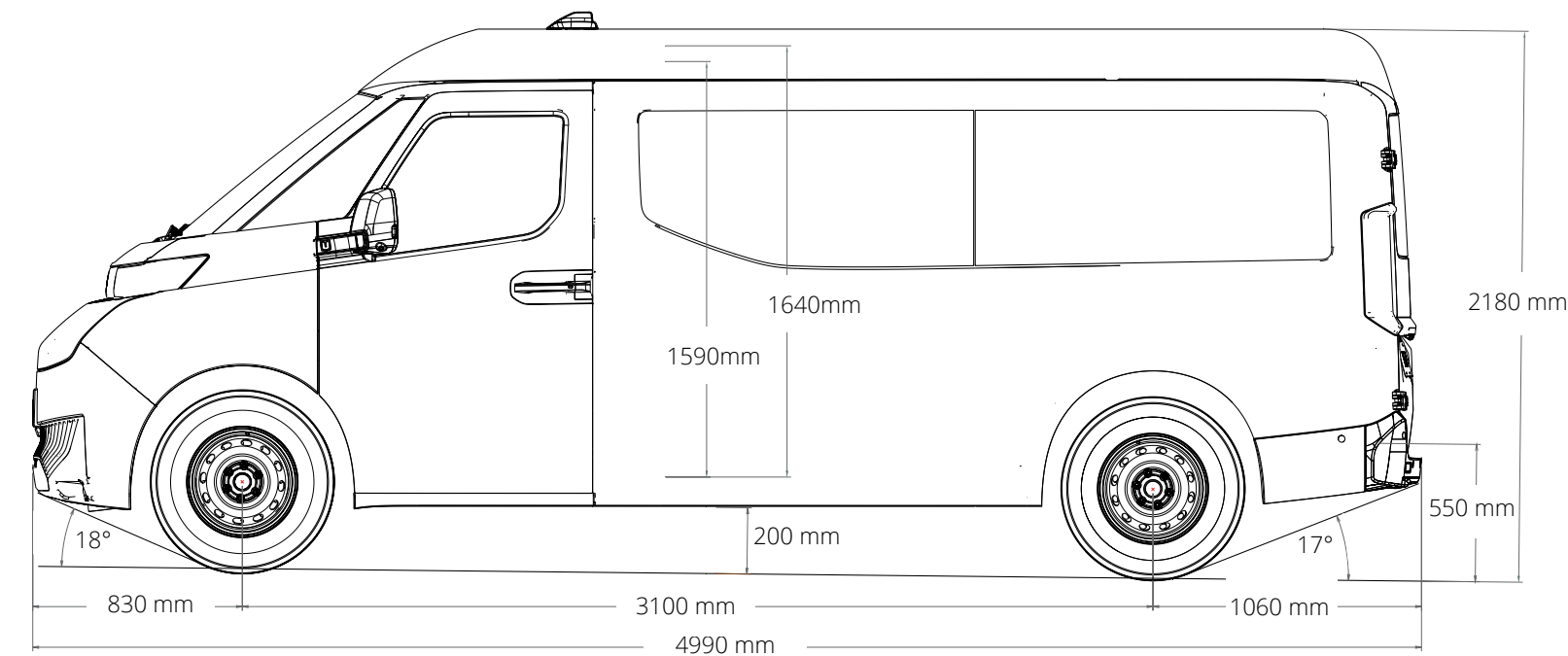
WEIGHTS

	67 kWh	83 kWh
Kerb Weight	2,150 kg	2,235 kg
Gross Weight	3,500 kg	
Payload	1,350 kg	1,265 kg
Capacity	6.95 m ³	

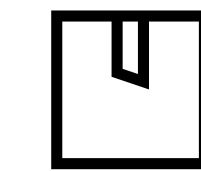


FARIZON

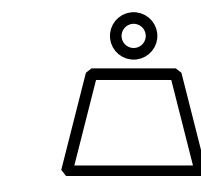
L1 H2 DIMENSIONS & WEIGHTS



CAPACITY
7.92 M3



MAX PAYLOAD
1,230 KG



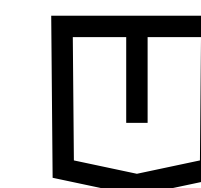
GROSS VEHICLE WEIGHT
3,500 KG

DIMENSIONS

	83 kWh	83 kWh		83 kWh
Length	4,990 mm	Minimum Ground Clearance	150 mm	
Width	1,980 mm	Cargo Platform Height	550 mm	
Height	2,180 mm	Turning Circle	12.2 m	
Front track	1,719 mm	Approach Angle	18 Degrees	
Rear track	1,722 mm	Departure Angle	17 Degrees	
Wheelbase	3,100 mm			
Front Overhang	830 mm			
Rear Overhang	1,060 mm			

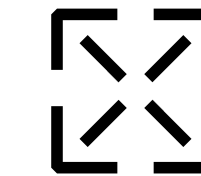
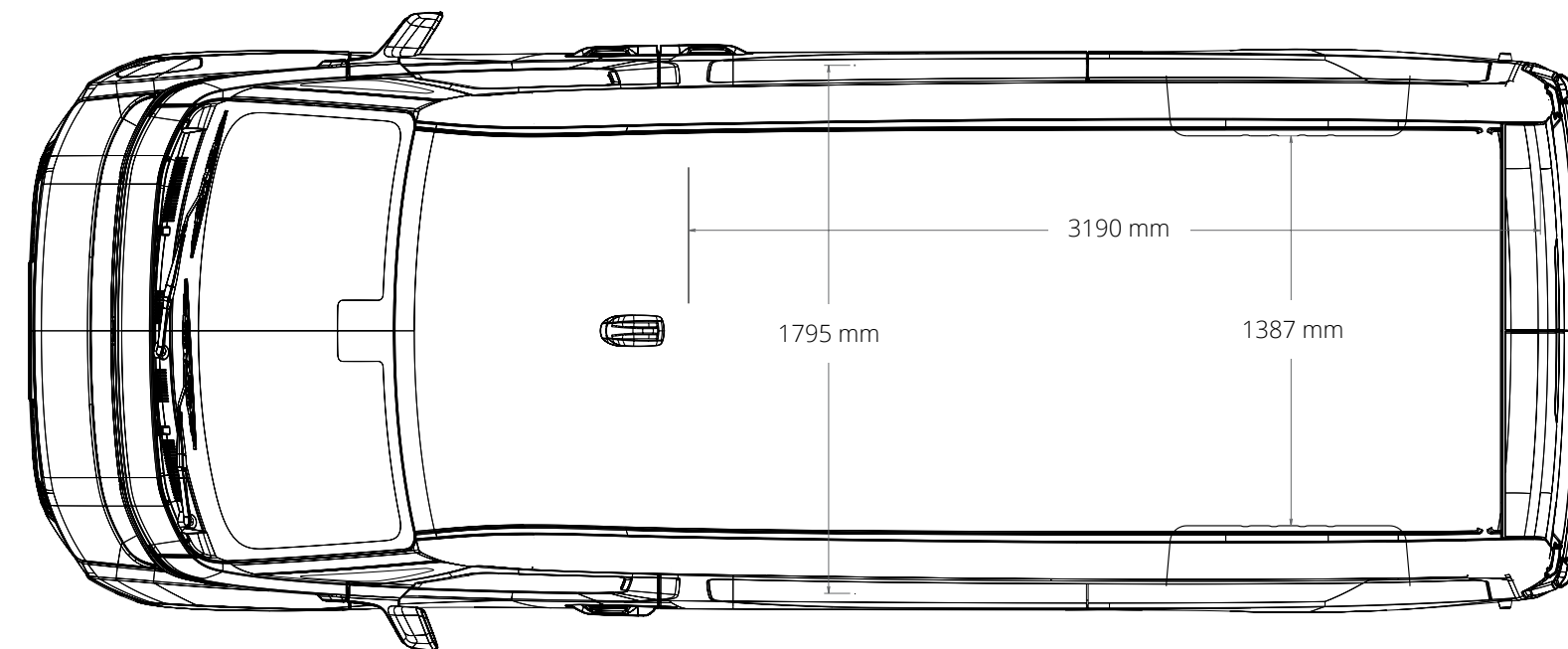
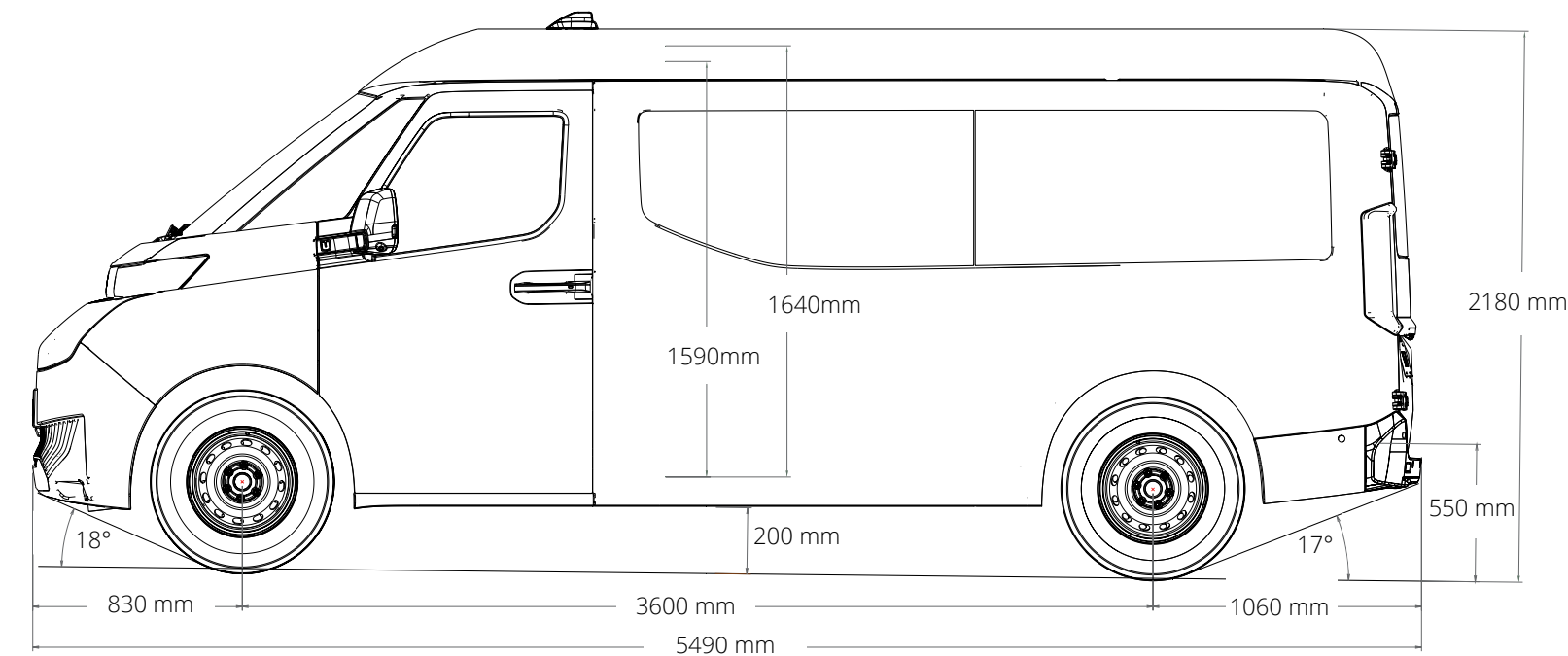
WEIGHTS

	83 kWh
Kerb Weight	2,270 kg
Gross Weight	3,500 kg
Payload	1230 kg
Capacity	7.92 m ³

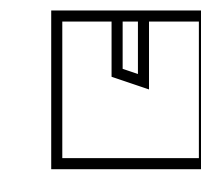


FARIZON

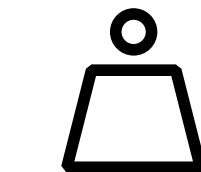
L2 H2 DIMENSIONS & WEIGHTS



CAPACITY
9.39 M3



MAX PAYLOAD
1,245 KG



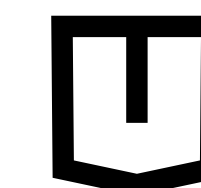
GROSS VEHICLE WEIGHT
3,500 KG

DIMENSIONS

	67 kWh	83 kWh		67 kWh	83 kWh
Length	5,490 mm		Minimum Ground Clearance	150 mm	
Width	1,980 mm		Cargo Platform Height	550 mm	
Height	2,180 mm		Turning Circle	14.0 m	
Front track	1,719 mm		Approach Angle	18 Degrees	
Rear track	1,722 mm		Departure Angle	17 Degrees	
Wheelbase	3,600 mm				
Front Overhang	830 mm				
Rear Overhang	1,060 mm				

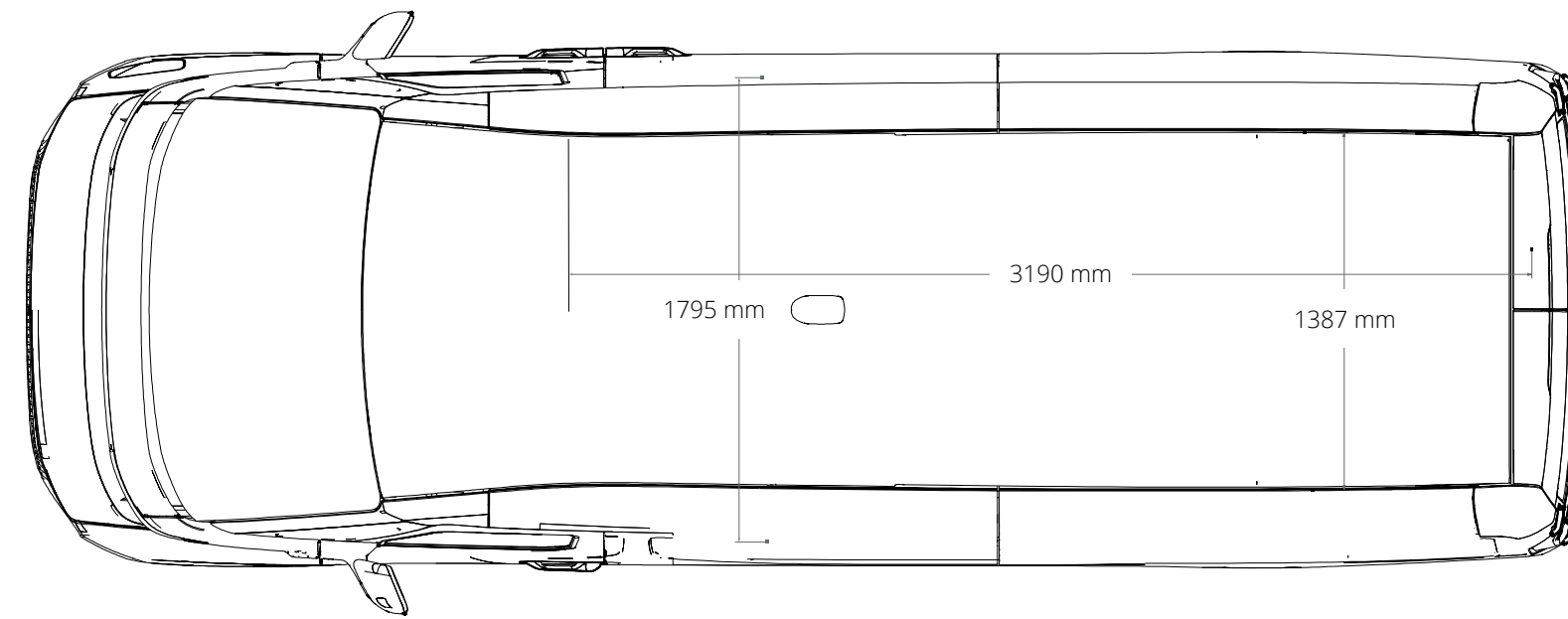
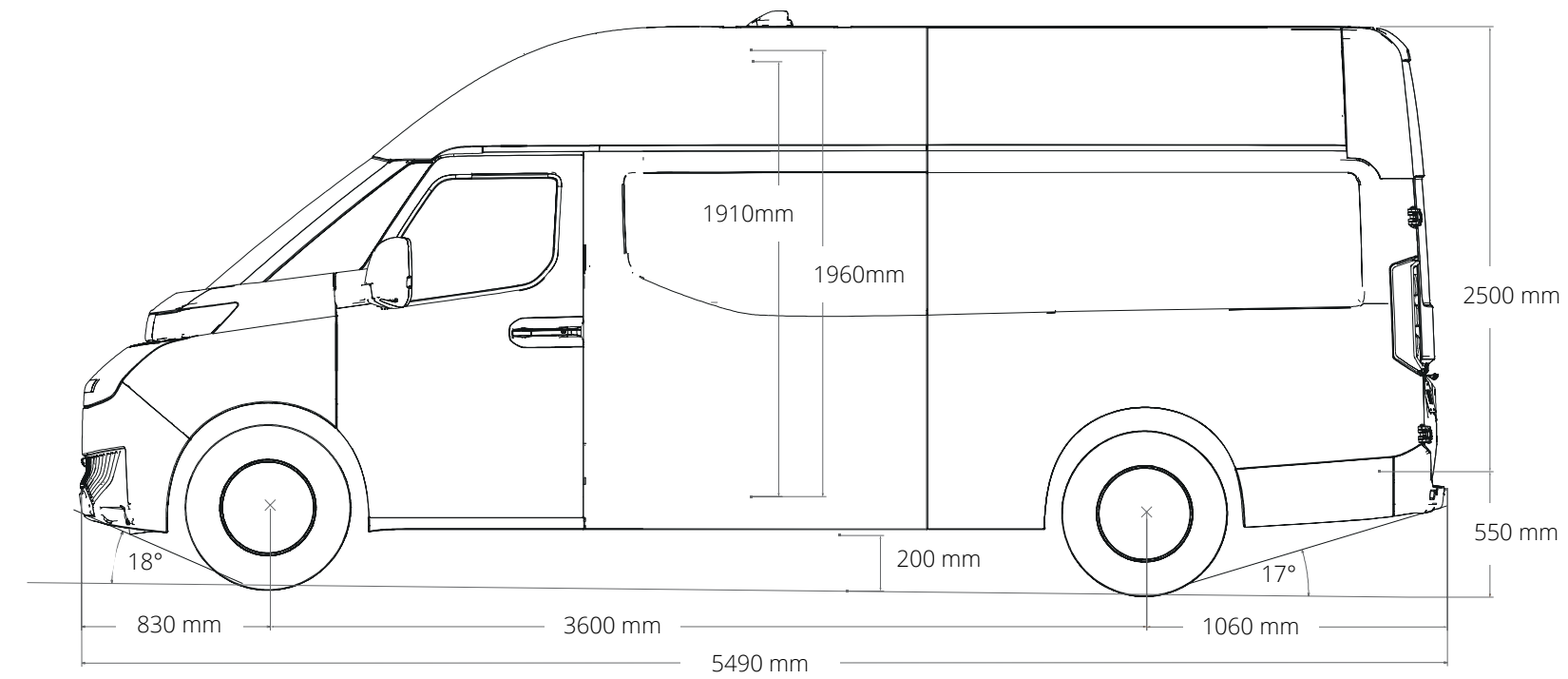
WEIGHTS

	67 kWh	83 kWh
Kerb Weight	2,255 kg	2,340 kg
Gross Weight	3,500 kg	
Payload	1,245 kg	1,160 kg
Capacity	9.39 m ³	



FARIZON

L2 H3 DIMENSIONS & WEIGHTS



CAPACITY
11.22 M³

MAX PAYLOAD
1,245 KG

GROSS VEHICLE WEIGHT
3,500 KG

DIMENSIONS

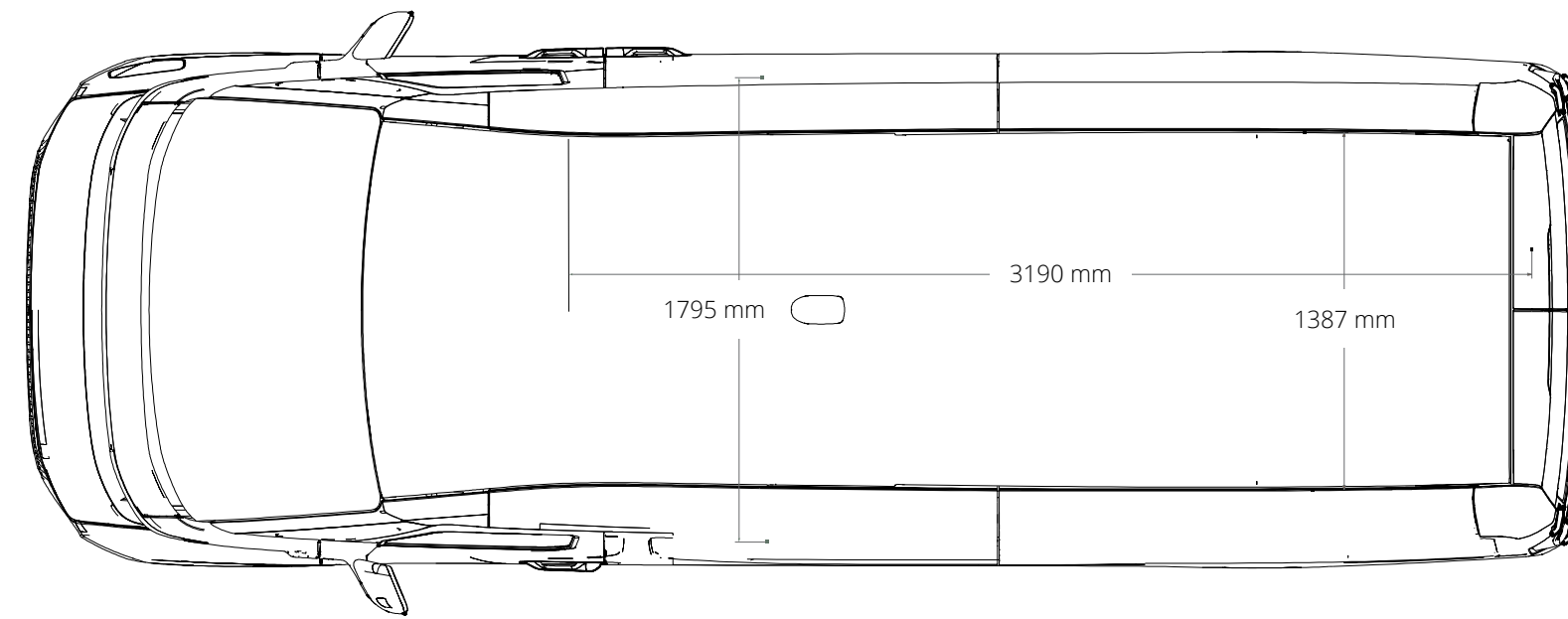
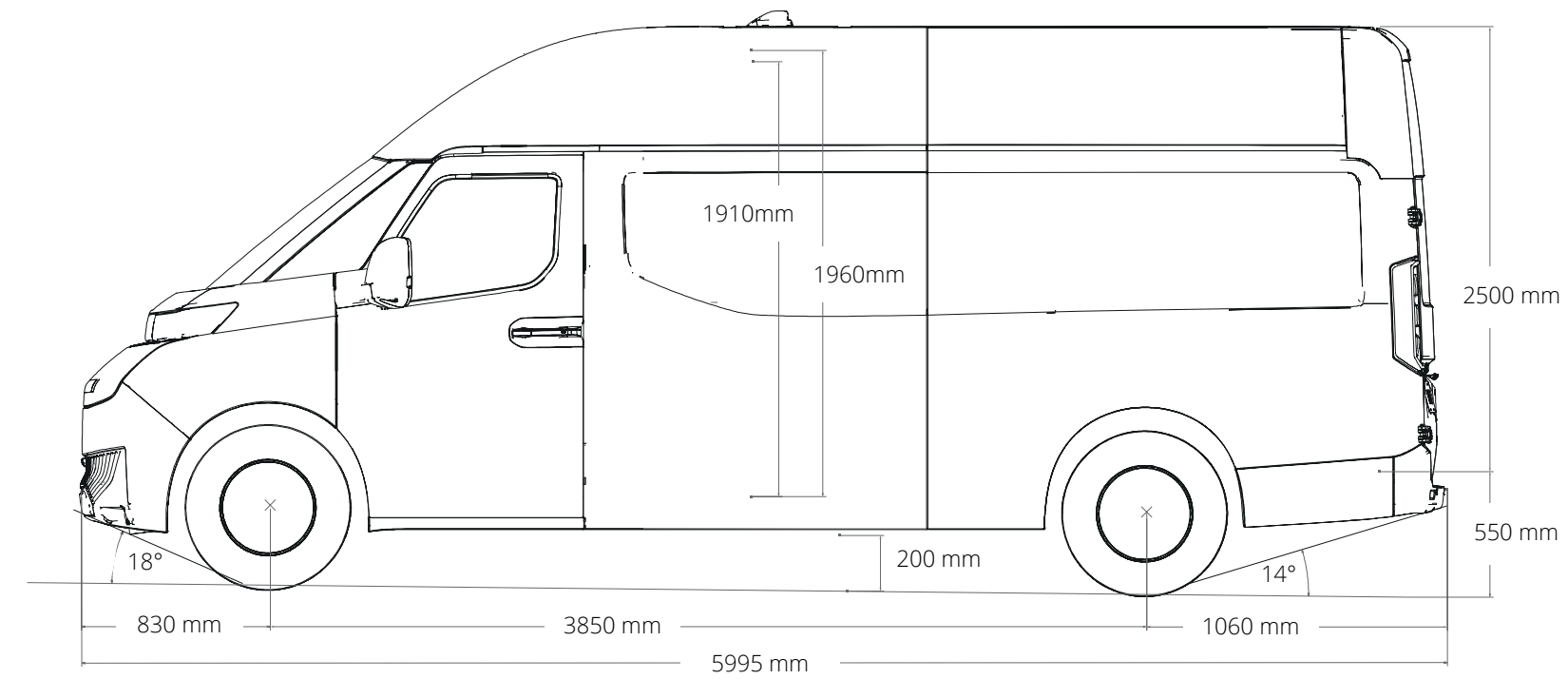
	83 kWh	83 kWh	
Length	5,490 mm	Minimum Ground Clearance	150 mm
Width	1,980 mm	Cargo Platform Height	550 mm
Height	2,500 mm	Turning Circle	14.0 m
Front track	1,719 mm	Approach Angle	18 Degrees
Rear track	1,722 mm	Departure Angle	17 Degrees
Wheelbase	3,600 mm		
Front Overhang	830 mm		
Rear Overhang	1,060 mm		

WEIGHTS

	83 kWh
Kerb Weight	2380 kg
Gross Weight	3,500 kg
Payload	2380 kg
Capacity	9.39 m ³



L3 H3 DIMENSIONS & WEIGHTS



CAPACITY
13.0 M3

MAX PAYLOAD
1,045 KG

GROSS VEHICLE WEIGHT
3,500 KG

DIMENSIONS

	83 kWh	106 kWh		83 kWh	106 kWh
Length	5,995 mm		Minimum Ground Clearance	150 mm	
Width	1,980 mm		Cargo Platform Height	550 mm	
Height	2,500 mm		Turning Circle	14.8 m	
Front track	1,719 mm		Approach Angle	18 Degrees	
Rear track	1,722 mm		Departure Angle	14 Degrees	
Wheelbase	3,850 mm				
Front Overhang	830 mm				
Rear Overhang	1,315 mm				

WEIGHTS

	83 kWh	106 kWh
Kerb Weight	2,455 kg	2,465 kg
Gross Weight	3,500 kg	
Payload	1,045 kg	1,035 kg
Capacity	13.0 m ³	



REAR DOORS

- 180° rear doors
- 270° rear doors *(optional)*

SAFETY AND SECURITY

- E-Call+
- Anti-lock Braking System (ABS)
- Electronic brakeforce distribution / cornering brake control
- Driver & passenger airbag
- Driver height adjustable seat belt
- Driver & passenger seat belt reminder/alarm
- Tyre Pressure Monitoring System (TPMS)
- Automatic door locking
- Overspeed alarm
- Acoustic Vehicle Alerting System (AVAS)
- Collision power-off system
- Collision door opening system
- Door open reminder
- Central locking
- Smart key
- Keyless start system
- Four door anti-theft

ASSIST DRIVING CONFIGURATION

- 4 point front parking radar
- 4 point rear parking radar
- Electronic Parking Brake (EPB)
- Auto hold parking brake

INTERIOR

- Fixed double passenger seat
- Cup holders x 2
- Cup holder for driver seat
- Non-woven fabric front ceiling
- PVC front floor
- Rear compartment partition fixed (without window)
- Rear cabin ceiling light x 2
- PVC rear compartment floor
- Anchor points
- Multifunction steering wheel
- Heated steering wheel
- Full LCD dashboard
- Clothes hook
- 4-way manual adjustable driver seat
- Driver's seat handrail
- Ventilated and heated driver and outer passenger seat

ADAS / ADVANCED DRIVE ASSISTANCE SYSTEMS

- Door Open Warning (DOW)
- Rear Cross Traffic Alert (RCTA)
- Lane Change Assist (LCA)
- Lane Departure Warning System (LDWS)
- Intelligent High Beam Control (IHBC)
- Traffic Sign Interpretation (TSI)
- Lane Keep Assist (LKA)
- Autonomous Emergency Braking (AEBS)
- Predictive Collision Warning (PCW)
- Forward Collision Warning (FCW)
- Full Speed Range Adaptive Cruise Control (ACC)
- Intelligent Speed Assist (ISA)
- Urban highway Intelligent Cruise Control (ICC)
- Blind Spot Detection (BSD)
- 360 Around View (AVM360)
- Hill Descent Control (HDC)
- Driver Monitoring System (DMS)

INFOTAINMENT

- 12.3inch MP5+FM/AM+DAB+WIFI
- Maintenance reminder
- Bluetooth music
- Easy link
- Apple CarPlay
- 12V power outlet
- Vehicle-to-load (V2L) *(optional)*
- USB point x 2
- Speakers x 2

LIGHTS

- Automatic front LED headlights
- LED daytime running lights
- Front fog lamp
- Rear fog lamp
- LED high brake light

WINDOWS

- Power front windows
- One click lifting
- Exterior mirror integrated side turn signal
- Manual folding and electrically adjustable door mirrors
- Rain sensing wipers
- Heated windscreen

AC

- Automatic
- Defrosting & defogging vents

CARGO

- Payload monitoring system

OTHERS

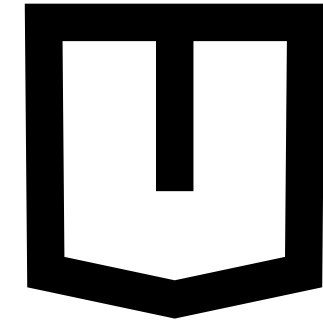
- Rear trailer bar, trailer hook & TRM *(optional)*
- Tool bag & front hook
- Type 2 Charging cable
- Mode 2 Charging cable

READY TO MAKE THE SWITCH?



To find out more about the Farizon SV, register your interest or arrange a test drive, head to www.farizon.co.za





FARIZON

www.farizon.co.za

ECOWORKS 

The information in this brochure is not binding and is subject to alterations. Ecoworks reserves the right to change the specifications without notice. This brochure does not constitute an offer of sale of any particular vehicle or specification. Please confirm exact specifications, prices and colour availability with your Farizon dealer. Warranty covers 4-years / 200,000 km warranty, with an 8-year / 200,000 km warranty for the battery